

**CARTA KUMPULAN**

**SINGLE WANITA**

KUMP A	
1-1	<b>UMK 2</b>
1-2	<b>UNIKL 2</b>
1-3	<b>UMP</b>
1-4	-

KUMP B	
2-1	<b>UPM 1</b>
2-2	<b>UNISZA</b>
2-3	<b>KK MAS 2</b>
2-4	-

KUMP C	
3-1	<b>UUM</b>
3-2	<b>UTM</b>
3-3	<b>UTHM</b>
3-4	-

KUMP D	
4-1	<b>UITM 2</b>
4-2	<b>UMK 3</b>
4-3	<b>UPM 3</b>
4-4	-

KUMP E	
5-1	<b>UTEM</b>
5-2	<b>UMK 1</b>
5-3	<b>UPM 2</b>
5-4	<b>UPSI</b>

KUMP F	
6-1	<b>KK MAS 1</b>
6-2	<b>USM</b>
6-3	<b>UNIKL 1</b>
6-4	<b>UITM 1</b>

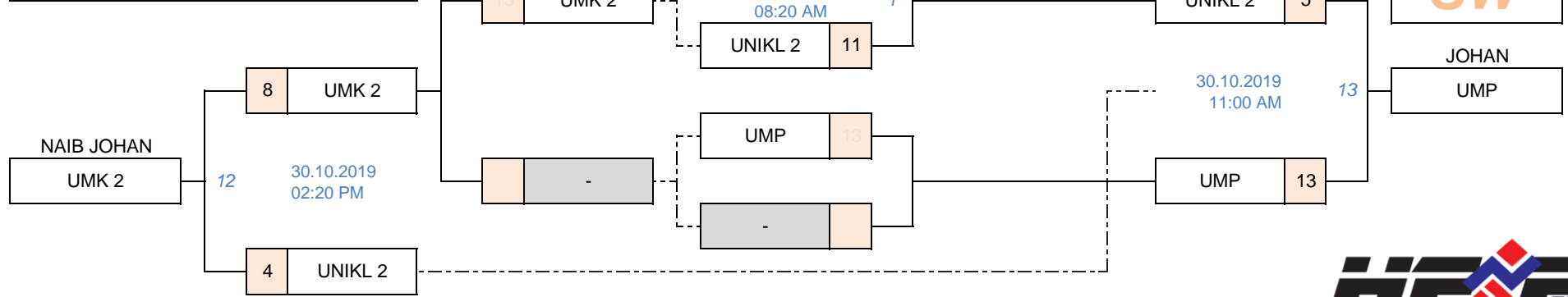
**JADUAL PERTANDINGAN**

BIL	TARIKH	MASA	KUMP	KOD	PERLAWANAN ANTARA			NO. GEL	CATATAN
					PASUKAN A	LWN	PASUKAN B		
<b>PUSINGAN SATU</b>									
1	30.10.2019	08:20 AM	KUMP A	SW K1 01	UMK 2	LWN	UNIKL 2		
2	30.10.2019	08:20 AM	KUMP B	SW K2 01	UPM 1	LWN	UNISZA		
3	30.10.2019	08:20 AM	KUMP C	SW K3 01	UUM	LWN	UTM		
4	30.10.2019	08:20 AM	KUMP D	SW K4 01	UITM 2	LWN	UMK 3		
5	30.10.2019	08:20 AM	KUMP E	SW K5 01	UTEM	LWN	UMK 1		
6	30.10.2019	08:20 AM	KUMP E	SW K5 02	UPM 2	LWN	UPSI		
7	30.10.2019	08:20 AM	KUMP F	SW K6 01	KK MAS 1	LWN	USM		
8	30.10.2019	08:20 AM	KUMP F	SW K6 02	UNIKL 1	LWN	UITM 1		
9	30.10.2019	11:00 AM	KUMP A	SW K1 02	UNIKL 2	LWN	UMP		WIN 01 VS WIN 02
10	30.10.2019	11:00 AM	KUMP B	SW K2 02	UPM 1	LWN	KK MAS 2		WIN 01 VS WIN 02
11	30.10.2019	11:00 AM	KUMP C	SW K3 02	UTM	LWN	UTHM		WIN 01 VS WIN 02
12	30.10.2019	11:00 AM	KUMP D	SW K4 02	UMK 3	LWN	UPM 3		WIN 01 VS WIN 02
13	30.10.2019	11:00 AM	KUMP E	SW K5 03	UMK 1	LWN	UPM 2		LOS 01 VS LOS 02
14	30.10.2019	11:00 AM	KUMP E	SW K5 04	UTEM	LWN	UPSI		WIN 01 VS WIN 02
15	30.10.2019	11:00 AM	KUMP F	SW K6 03	KK MAS 1	LWN	UNIKL 1		LOS 01 VS LOS 02
16	30.10.2019	11:00 AM	KUMP F	SW K6 04	USM	LWN	UITM 1		WIN 01 VS WIN 02
17	30.10.2019	02:20 PM	KUMP A	SW K1 03	UMK 2	LWN	UNIKL 2		WIN 03 VS LOS 04
18	30.10.2019	02:20 PM	KUMP B	SW K2 03	UNISZA	LWN	UPM 1		WIN 03 VS LOS 04
19	30.10.2019	02:20 PM	KUMP C	SW K3 03	UUM	LWN	UTHM		WIN 03 VS LOS 04
20	30.10.2019	02:20 PM	KUMP D	SW K4 03	UITM 2	LWN	UPM 3		WIN 03 VS LOS 04
21	30.10.2019	02:20 PM	KUMP E	SW K5 05	UMK 1	LWN	UPSI		WIN 03 VS LOS 04
22	30.10.2019	02:20 PM	KUMP F	SW K6 05	KK MAS 1	LWN	UITM 1		WIN 03 VS LOS 04

## HIGHER EDUCATION SPORTS FEST 2019 - PETANQUE

### KUMP A

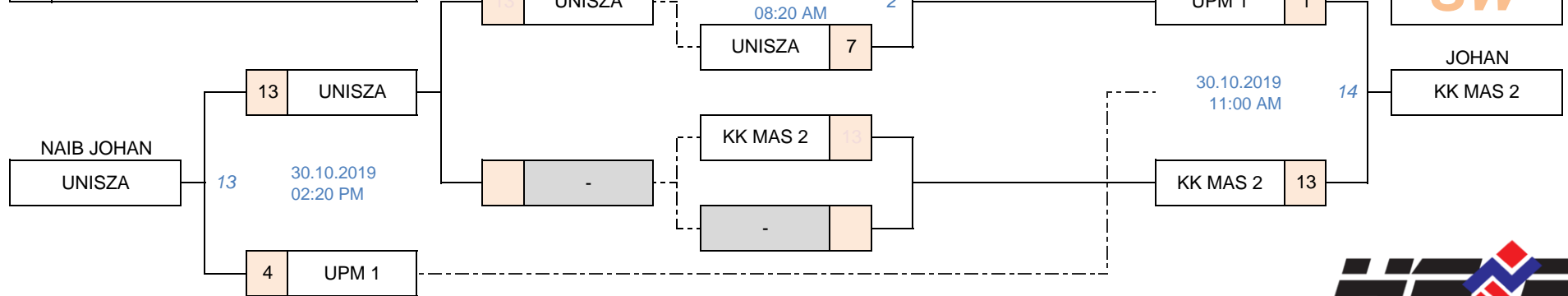
1-1	UMK 2
1-2	UNIKL 2
1-3	UMP
1-4	-



## HIGHER EDUCATION SPORTS FEST 2019 - PETANQUE

### KUMP B

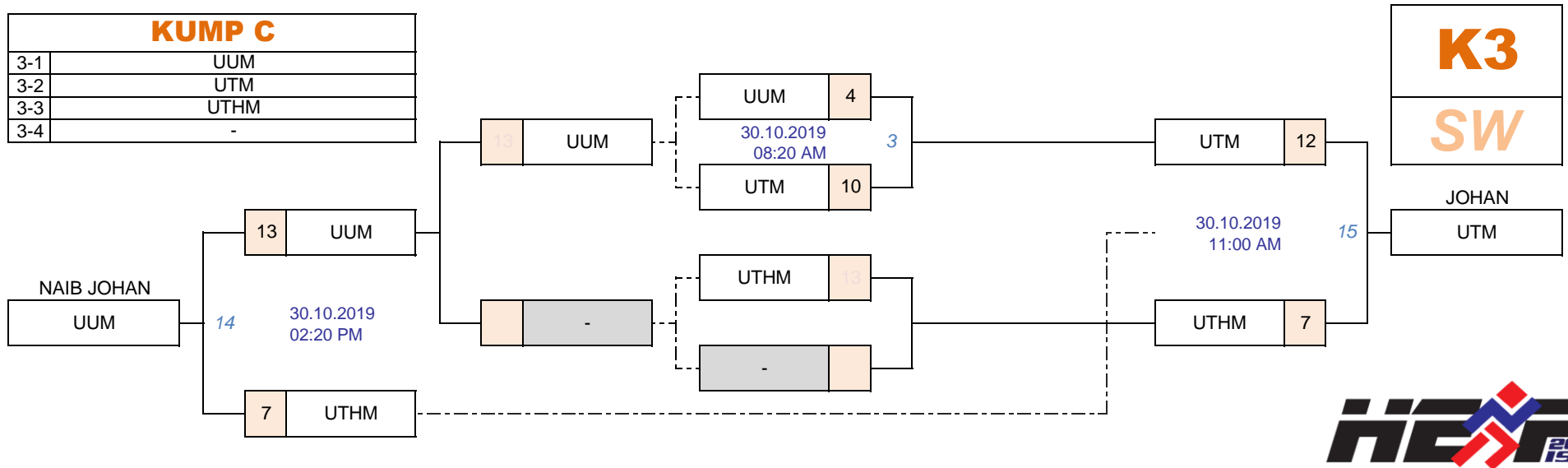
2-1	UPM 1
2-2	UNISZA
2-3	KK MAS 2
2-4	-



## HIGHER EDUCATION SPORTS FEST 2019 - PETANQUE

### KUMP C

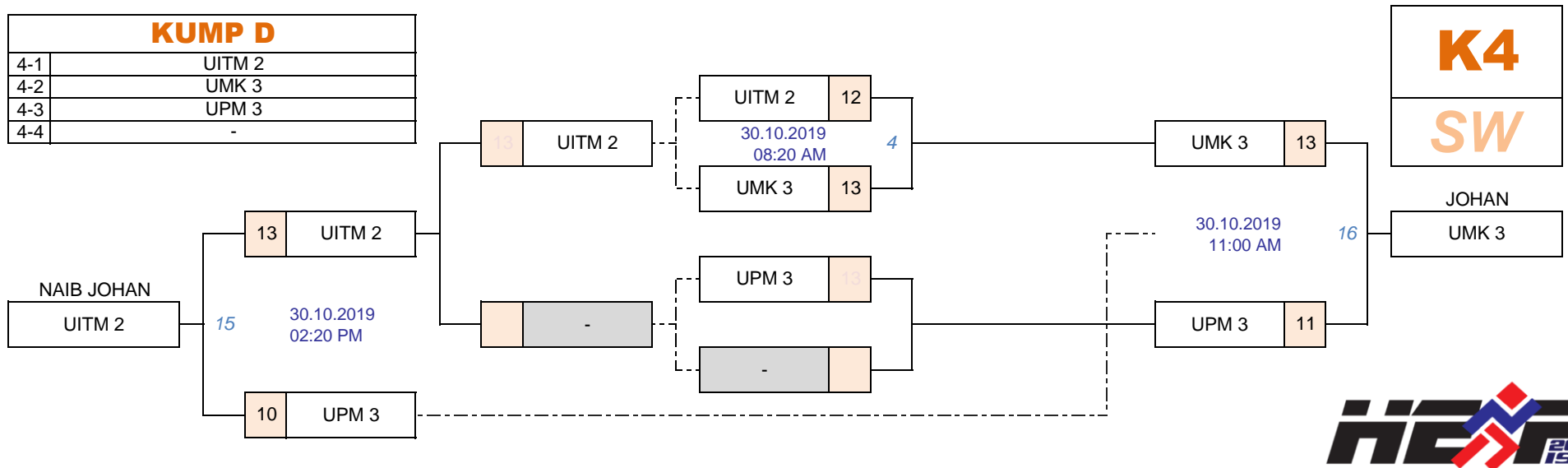
3-1	UUM
3-2	UTM
3-3	UTHM
3-4	-



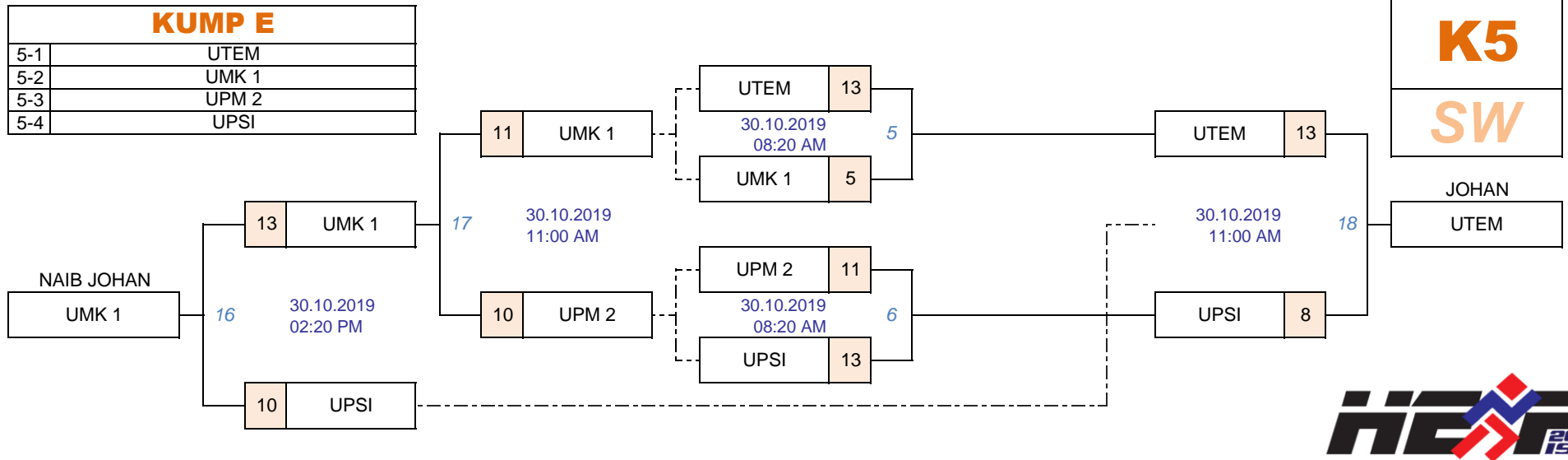
## HIGHER EDUCATION SPORTS FEST 2019 - PETANQUE

### KUMP D

4-1	UITM 2
4-2	UMK 3
4-3	UPM 3
4-4	-



## HIGHER EDUCATION SPORTS FEST 2019 - PETANQUE



## HIGHER EDUCATION SPORTS FEST 2019 - PETANQUE

